



**Regulator pritiska gasa
Gas pressure regulator
VILLAGE FLOW VF
50/100/160/250**



The Experts in Energy Supply

VILLAGE FLOW VF

DVOSTEPENI REGULATOR PRITISKA GASA

TWO STAGE PRESSURE REGULATOR

VILLAGE FLOW služi za komercijalnu i industrijsku isporuku gasa kao na primjer velikim zgradama pa do za isporuke gorionog gasa kotlarnicama.

Standardno, ovaj dvostepeni regulator pritiska gasa je opremljen sa sigurnosno zapornim ventilom i može po izboru biti isporucen u ravnoj ili ugaonoj izvedbi, priljučcima sa navojnicom ili prirubnicom, sa ili bez visokotemperaturne otpornosti, sigurnosnom membranom, osiguranjem protiv nedostatka gasa, sigurnosno odušnim ventilom i ograničenjem protoka.

Ovaj regulator pritiska gasa je konstruisan prema PED 2014/68/EU.

The VILLAGE FLOW is used for gas supply of municipalities and industry as big flats thru process gas supply for burner in boiler houses.

As standard, the two stage gas pressure regulators are fitted with a safety shut-off valve. A range of connectors and designs with or without flanges, internal or external threaded, inline or corner version, thermal gas cut-off (HTB), safety membrane or pressure cut-off for supply interruption protection, safety blow-off valve and flow rate limitation devices are available.

The gas pressure regulator is designed according to PED 2014/68/EU.

TEHNICKI PODATCI

TECHNICAL DATA

Dozvoljeni ulazni pritisak:	0,3 ÷ 10,0 bar
Nominalni prečnik:	DN 25/40/50
Opseg izlaznog pritiska:	pas 20 ÷ 300mbar
Opseg setovanja sigurnosno zapornog ventila:	
pso	30 ÷ 400 mbar
psu	15 ÷ 200 mbar
Regulaciona klasa:	AC 5/10
Klasa pritiska zatvaranja:	SG 20/30
Tačnost:	pso/psu AGo 10/AGu 30
Protok:	vidi dijagram
Temperaturni opseg:	-20/30 ÷ + 60 °C
Pozicija montaze:	bilo koja
Aktivacija visokotemperaturne otpornosti:	105 /140 °C
Priključci:	prirubnica, unutrašnji navoj, vanjski navoj

Perm.inlet pressure:	0,3 ÷ 10,0 bar
Nominal dimension:	DN 25/40/50
Outlet pressure range:	pas 20 ÷ 300mbar
Set range of safety shut-off valve:	
pso	30 ÷ 400 mbar
psu	15 ÷ 200 mbar
Regulatory class:	AC 5/10
Lock-up pressure class:	SG 20/30
Accuracy:	pso/psu AGo 10/AGu 30
Flow rate:	see diagram
Range of temperature:	-20/30 ÷ + 60 °C
Position of installation:	discretionary
Thermic release cc.:	105 /140 °C
Connection:	flange, internal threaded external threaded

MATERIJALI

MATERIALS

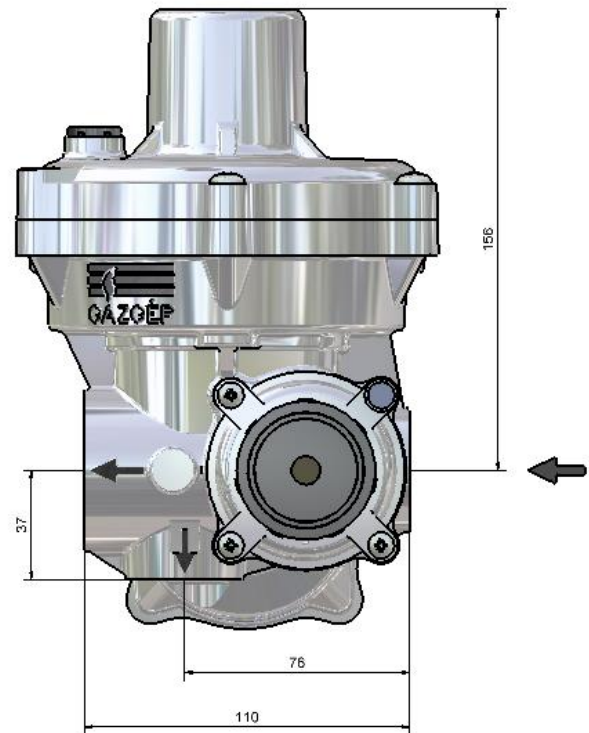
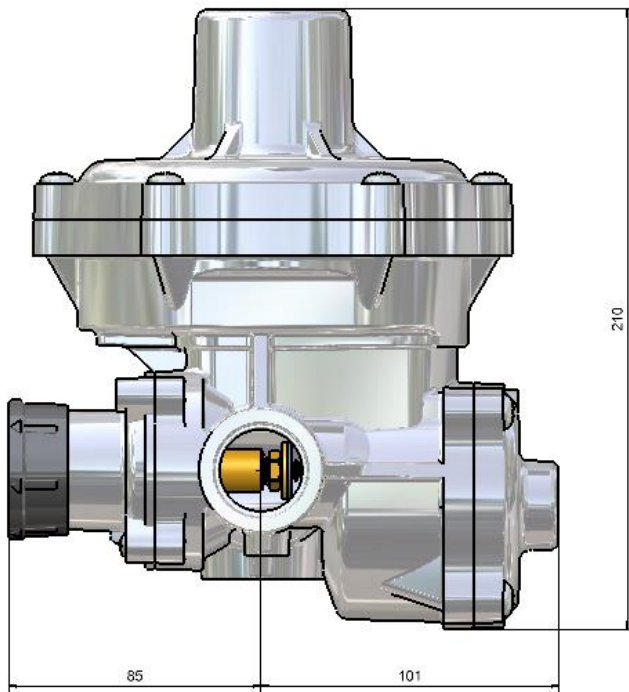
Regulator, SBV, korpus:	pritiskom liveni aluminijum
Priključci ulaz/izlaz:	pocinčani čelik
Unutarnji dijelovi:	čelik, mesing, plastika
Membranen:	Perbunan (guma otporna na pentan)
O-prstenovi:	NBR, FPM

Regulator, SBV, body:	Die-casting aluminium
Connection inlet/outlet:	Zinc plated steel
Internals:	Steel, brass, plastic
Diaphragm:	Perbunan (pentane resistant rubber)
O-Ring:	NBR, FPM

VILLAGE FLOW VF

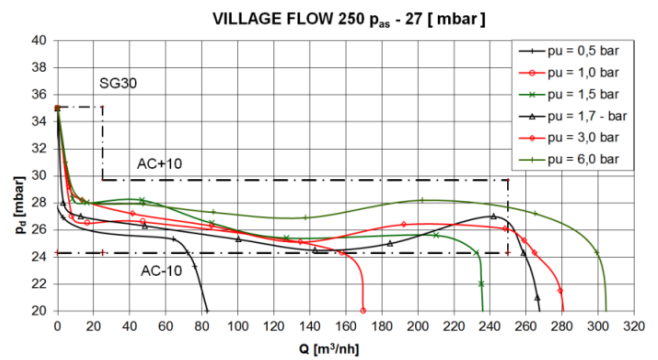
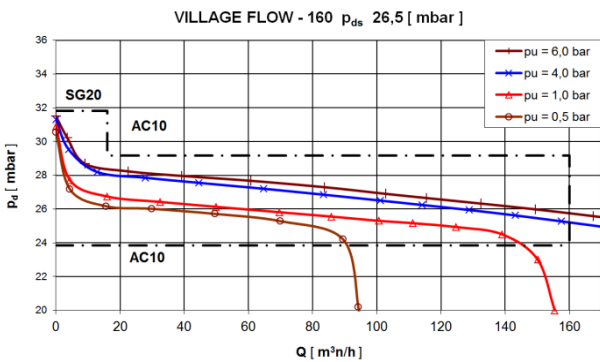
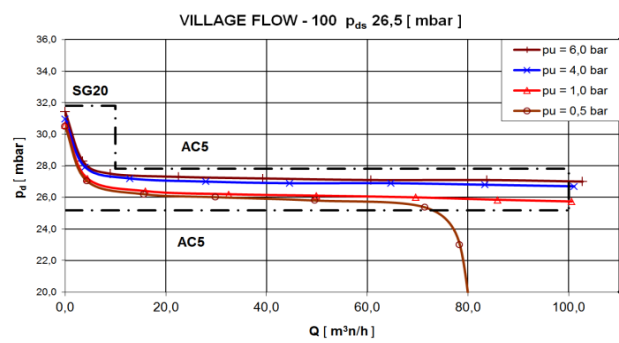
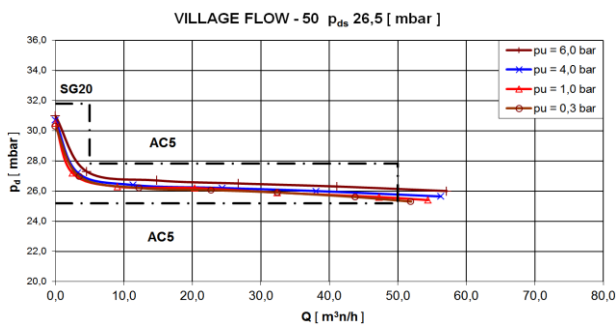
DIMENZIJE U MM

DIMENSIONS IN MM



DIJAGRAM PROTOKA*

FLOW DIAGRAM*



*(Proizvod se može naručiti prema opsegu izlaznih pritisaka, koje se nalaze na strain 2.)

*(Product to order according to the outlet pressure range on the 2. page)

