

Energie dintr-o singura sursa



**Regulator de presiune de gaz
Gas pressure regulator
EKB-SMART FLOW 40/50/75
EKB-SF**



The Experts in Energy Supply

EKB-SMART FLOW EKB-SF

REGULATOR DE PRESIUNE IN DOUA TREPTE

TWO STAGE PRESSURE REGULATOR

Regulatorul de presiune EKB-SMART FLOW serveste la alimentarea cu gaz a municipalitatilor si consumatorilor industriali, case, facilitati comunale, cat si de la blocuri de locuinte pana la arzatoarele centralelor termice. In componenta de baza a reguletoarelor de presiune in doua trepte, fac parte supapele de blocare. O mare varietate de versiuni: constructie liniara sau pe colt, cu flanse sau cu filet, cu protectie in caz de oprirea furnizarii gazului, cu supapa de descarcare sau fara, precum si cu limitatoare de debit sau fara.

Reguletoarele sunt conforma PED 2014/68/EU, EN334.

The EKB-SMART FLOW is used for gas supply of municipalities and industry as houses, communal facilities, big flats thru process gas supply for burner in boiler houses.

As standard, the two stage gas pressure regulators are fitted with a safety shut-off valve. A range of connectors and designs with or without flanges, internal or external threaded, inline or corner version, pressure cut-off for supply, interruption protection, safety blow-off valve and flow rate limitation devices are available.

The gas pressure regulator is designed according to PED 2014/68/EU, EN334.

DATE TEHNICE

TECHNICAL DATA

Pres. de intrare permisa:	0,06 ÷ 10,0 bar	Perm.inlet pressure:	0,06 ÷ 10,0 bar
Diametrul nominal:	1/2"/3/4" DN 25/40/50	Nominal dimension:	1/2"/3/4" DN 25/40/50
Domeniul pres. de iesire:	pas 20 ÷ 300mbar	Outlet pressure range:	pas 20 ÷ 300mbar
Domeniu reglare supapa blocare:		Set range of safety shut-off valve:	
pso	30 ÷ 400 mbar	pso	30 ÷ 400 mbar
psu	15 ÷ 200 mbar	psu	15 ÷ 200 mbar
Grupa pres. de reglare:	AC 5/10	Regulatory class:	AC 5/10
Grupa pres.de inchidere:	SG 20/30	Lock-up pressure class:	SG 20/30
Acuratete:	pso/psu AGo 10/AGu 30	Accuracy:	pso/psu AGo 10/AGu 30
Debit:	vezi diagrama	Flow rate:	see diagram
Domeniu de temperatura:	-20/30 ÷ + 60 °C	Range of temperature:	-20/30 ÷ + 60 °C
Pozitia de instalare:	optionala	Position of installation:	discretionary
Felul conexiunii:	cu flanse, cu filet interior, cu filet exterior	Connection:	flange, internal threaded external threaded

MATERIALE

MATERIALS

Regulator, SAV, carcasa:	aluminu turnat	Regulator, SBV, body:	Die-casting aluminium
Racord intrare / iesire:	otel zincat	Connection inlet/outlet:	Zinc plated steel
Componente interne:	otel, alama, plastic	Internals:	Steel, brass, plastic
Membrane:	Perbunan (cauciuc rez. la pentan)	Diaphragm:	Perbunan (pentane resistant rubber)
Garnituri de etanseitate:	NBR, FPM	O-Ring:	NBR, FPM

EKB-SMART FLOW EKB-SF

DIMENSIUNI IN MM

DIMENSIONS IN MM

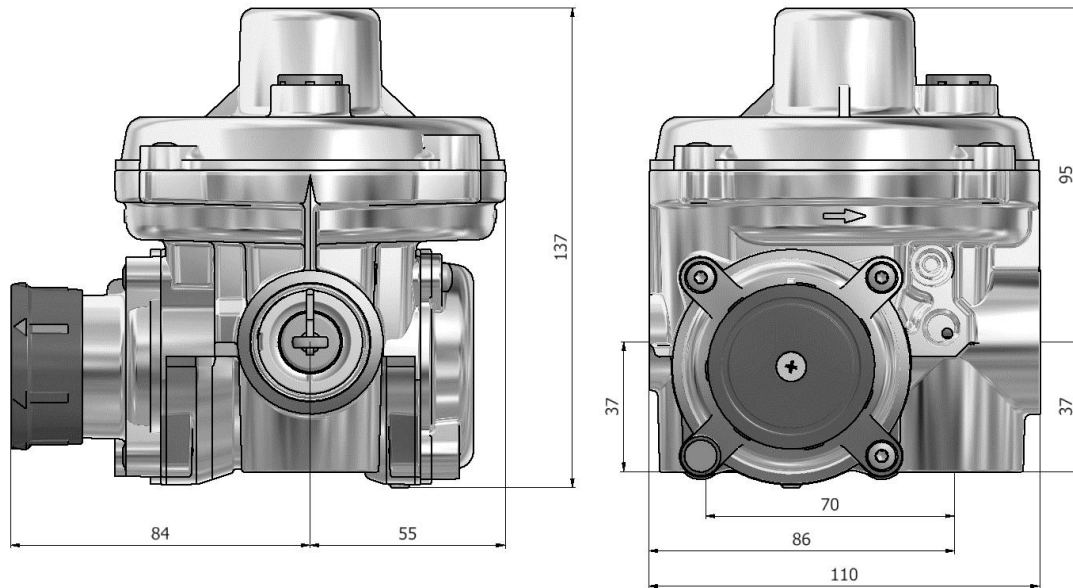
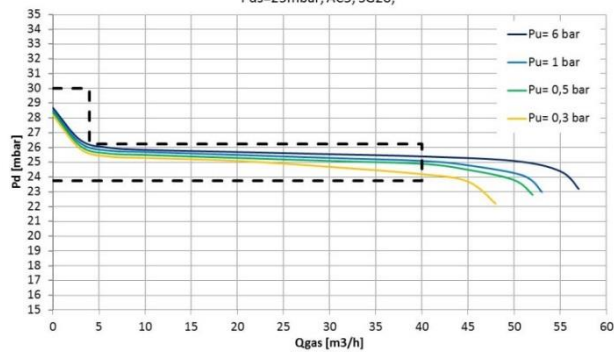


DIAGRAMA DE DEBIT*

FLOW DIAGRAM*

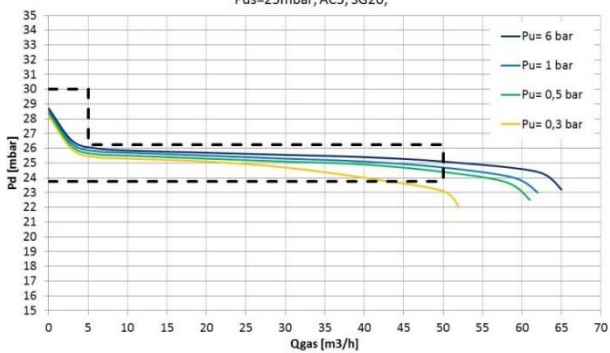
EKB-SF-40

Pds=25mbar; AC5; SG20;



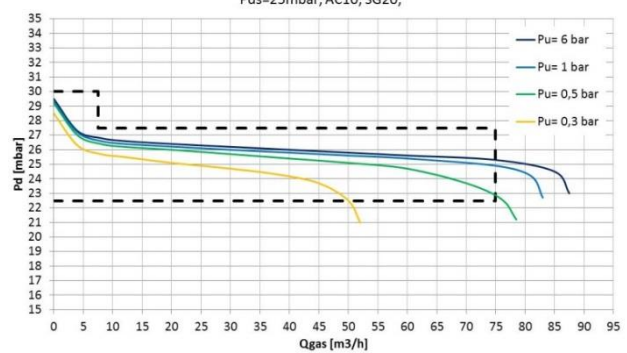
EKB-SF-50

Pds=25mbar; AC5; SG20;



EKB-SF-75

Pds=25mbar; AC10; SG20;



*(Se poate comanda produsul conform gamei de presiune de iesire de pe pagina 2.)

*(Product to order according to the outlet pressure range on the 2. page)

